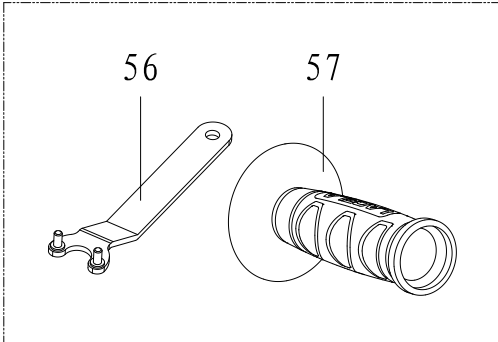


头壳组件58
由8-15-16-17-21-23
-24组成



Version No.	D	Enable Time	2022.9
-------------	---	-------------	--------

No.	Part Name(Chinese)	Part Name(English)	Code	Qty	No.	Part Name(Chinese)	Part Name(English)	Code	Qty
1	上压板	Upper platen	10305001082	1	45	开关	Switch	10601001098	1
2	砂轮片100	Grinding Wheel 100	21201006041	1	46	开关橡皮帽	Switch rubber cap	10102004038	1
3	下压板	Inner Flange	10305001081	1	47	机壳	Housing	10101001455	1
4	砂轮罩100	Guard 100	10401001049	1	48	电缆压板	Cord Anchor	10101011123	1
5	输出轴	Output Spindle	10301001155	1	49	电容	Capacitor	10603001001	1
6	防尘盖	Dust Proof Cover	10401002015	1	50	塑料接线排3	Plastic wiring block 3	30802008	1
7	带平弹垫螺钉M4×14	Screw M4×14	30201011	4	51	商标	Trademark	20402007174	1
8	前盖	Front Cover	10203004100	1	52	电源线2×0.75	Cord 2×0.75	10602006007	1
9	0形圈46×1	O Ring 46×1	10102003219	1	53	自攻螺钉ST4×14	Screw ST4×14	30202019	1
10	平垫片12×28×0.3	Flat Washer 12×28×0.3	30403181	1	54	后罩	Rear cover	10101003136	1
11	轴承6201	Bearing 6201	30103206	1	55	电缆护套	Cord Sleeve	10102001022	1
12	轴承压盖	Bearing Cover	10401002061	1	56	带销扳手20	Wrench 20	21201002057	1
13	带弹垫螺钉M4×8	Screw M4×8	30201161	3	57	侧手柄M8	Side Handle M8	21201001041	1
14	大锥齿轮	Big Gear	10302009069	1	58	头壳组件	Gear box complete	10701001095	1
15	滚针轴承HK0810	Needle bearing HK0810	30101015	1					
16	自锁销	Self Lock Pin	10306001034	1					
17	0形圈7(外)×1	O Ring 7×1	10102003129	1					
18	自攻锁紧螺钉M4×6	Screw M4×6	30201043	1					
19	储油块	Oil Storage Chunk	21201007010	1					
20	储油卡板	Oil Storage Snap-gauge	10401004009	1					
21	头壳	Gear Box	10201004302	1					
22	自攻螺钉ST4×22	Screw ST4×22	30202032	4					
23	自锁弹簧	Self Lock Spring	10303001120	1					
24	自锁帽	Self-lock Cap	10101007176	1					
25	六角螺母M6	Hex Nut M6	30501104	1					
26	小锥齿轮	Small Gear	10302009070	1					
27	平垫片7×16×0.3	Flat Washer 7×16×0.3	30403119	2					
28	矩形圈22×25×2.5	Ring 22×25×2.5	10102003130	1					
29	轴承608	Bearing 608	30103180	1					
30	羊毛柱5×10	Wool Column	10509001033	1					
31	轴承压盖	bearing cover	10401002062	1					
32	螺钉M4×10	Screw M4×10	30201006	3					
33	转子	Armature	10502001356	1					
34	爬电挡圈	Creepage Retaining Ring	10101006023	1					
35	轴承607	Bearing 607	30103209	1					
36	轴承衬套	Bearing Sleeve	10102002026	1					
37	挡风圈	Air Deflector	10101005190	1					
38	自攻螺钉ST4×65	Screw ST4×65	30202050	2					
39	定子	Stator	10501001331	1					
40	铭牌	Nameplate	20302007644	1					
41	自攻螺钉ST3.5×8	Screw ST3.5×8	30202109	4					
42	刷架	Brush Holder	10606001201	2					
43	碳刷	Carbon Brush	10605001182	2					
44	盘簧	Coil Spring	10303002020	2					
Version No.		D			Enable Time			2022.9	